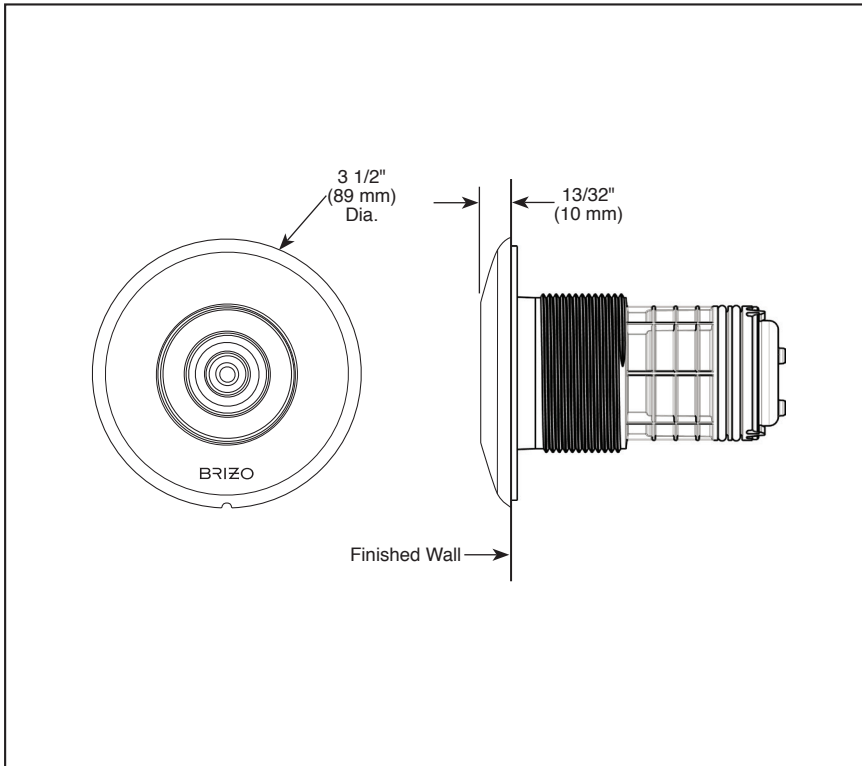
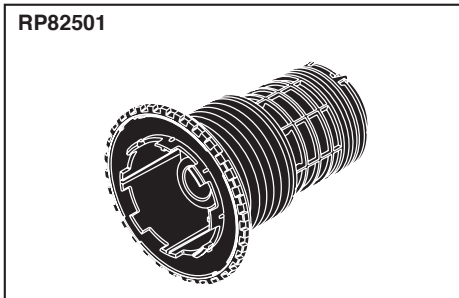


Submitted Model No.: \_\_\_\_\_

Specific Features: \_\_\_\_\_



▲ Designate proper finish suffix



# BRIZO®

## HYDRACHOICE™ MAX ROUND BODY SPRAY TRIM

■ 1.5 GPM

### STANDARD SPECIFICATIONS

- Max. 1.50 gpm @ 80 PSI, 5.70 L/min @ 550 kPa.
- Flush mount installation.
- Must also order rough (R84100) and spray heads (SH84100▲, SH84101▲, SH84102▲, or SH84103▲) separately.
- Optional (RP82501) reduces flow rate to 1.00 gpm @ 80 psi, 3.80 L/min @ 550 kPa.

### WARRANTY

- Lifetime limited warranty on parts (other than electronic parts and batteries) and finishes: or, for commercial users, for 5 years from date of purchase.
- 5 year limited warranty on electronic parts (other than batteries); or, for commercial users, for 1 year from the date of purchase. No warranty is provided on batteries.

### COMPLIES WITH:

- ASME A112.18.1 / CSA B125.1